



Quick Reference Notes - **Daily Care**

簡易操作 - **日常保養**

ApeosPort® C7070 / C6570 / C5570 / C4570 / C3570 / C3070

CONTENTS

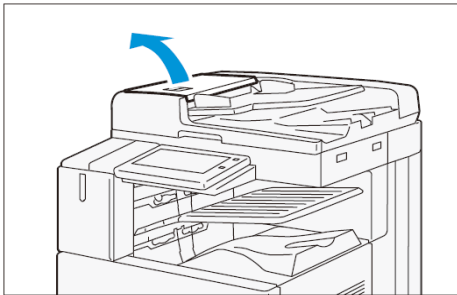
目錄

| | | |
|-----|--|---|
| 1 | Clear Paper Jam 夾紙排解..... | 2 |
| 1.1 | Duplex Automatic Document Feeder / 自動雙面送稿裝置..... | 2 |
| 1.2 | Inside Upper Left Cover 左上蓋內部..... | 3 |
| 1.3 | Inside Lower Left Cover 左下蓋內部..... | 4 |
| 1.4 | Standard Tray 標準紙盤..... | 5 |
| 1.5 | Bypass Tray 手送紙盤..... | 5 |
| 2 | Replacing Toner 更換碳粉匣..... | 6 |
| 3 | Replacing Waste Toner Container 更換碳粉回收匣..... | 7 |
| 4 | Extra Information 更多資訊..... | 8 |

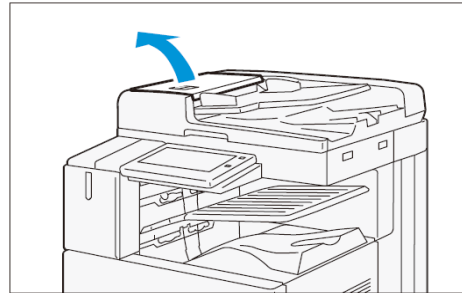
1 CLEAR PAPER JAM 夾紙排解

1.1 DUPLEX AUTOMATIC DOCUMENT FEEDER / 自動雙面送稿裝置

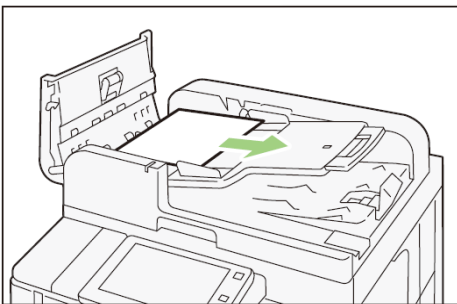
1. Open the document feeder left cover until it stops.



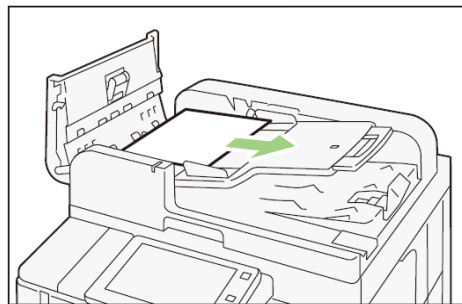
1. 向上拉起自動送稿裝置左蓋把手，將左蓋完全打開。



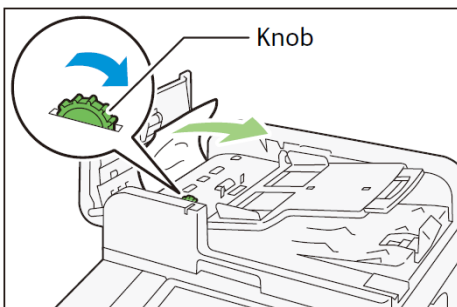
2. Remove the document.



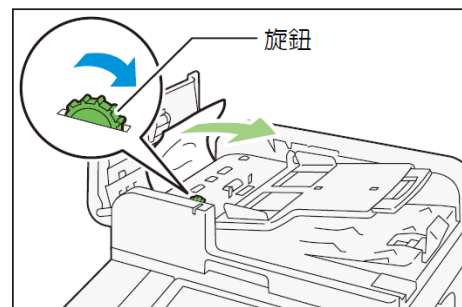
2. 清除原稿。



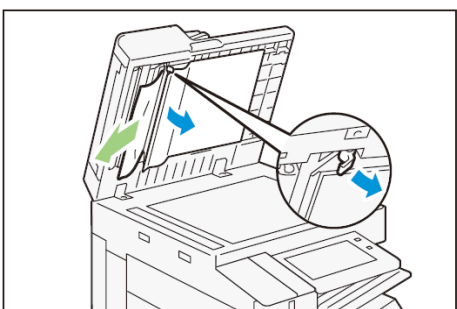
3. Turn the knob to eject the document.



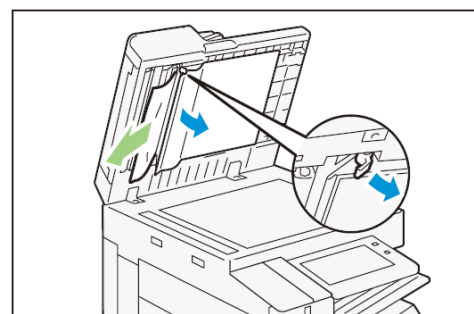
3. 旋轉旋鈕，取出原稿。



4. If you cannot find the document, open the document cover, grip the lever to open the Side 2 scanner, and then remove the document.

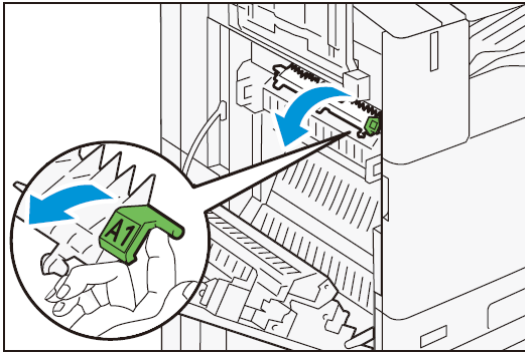


4. 找不到原稿時，打開原稿蓋，抓著拉桿，開啟反面掃描部，取出原稿。

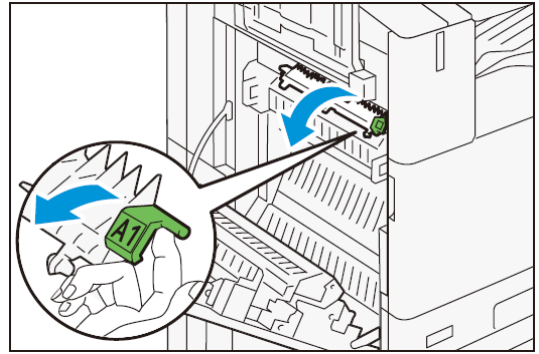


1.2 INSIDE UPPER LEFT COVER 左上蓋內部

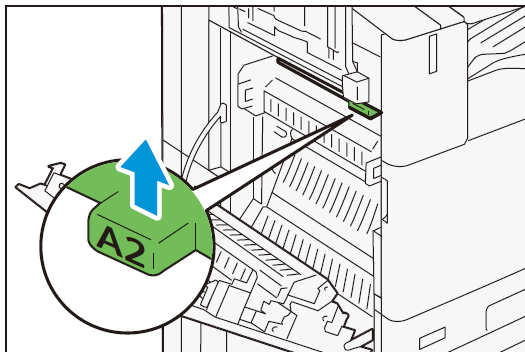
1. Pull the lever [A1].



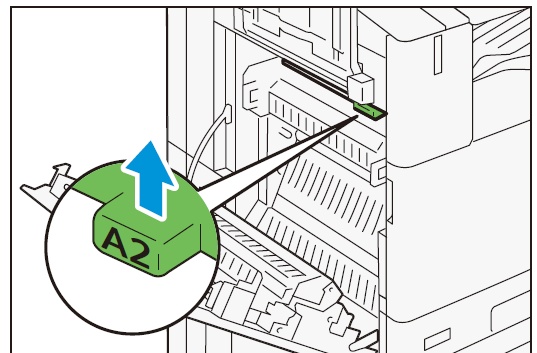
1. 拉出拉桿[A1]。



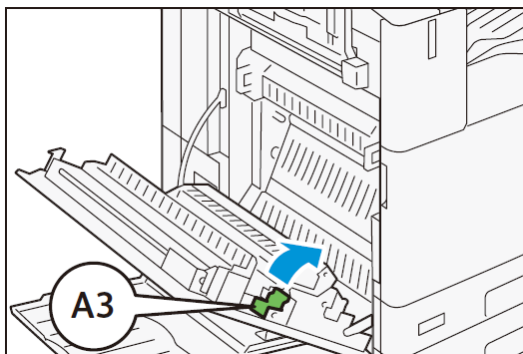
2. Pull the lever [A2].



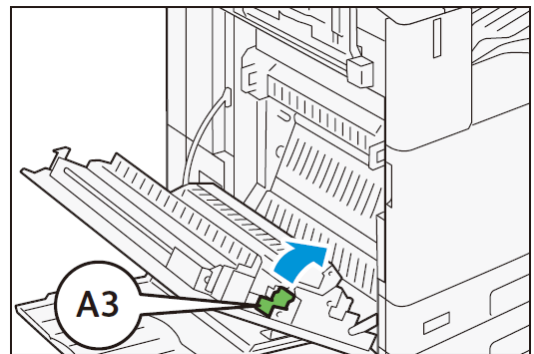
2. 拉出拉桿[A2]。



3. Pull the lever [A3].

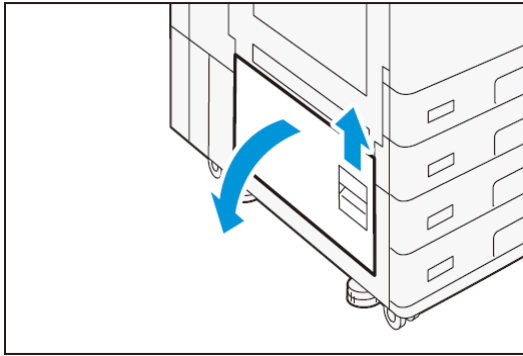


3. 拉出拉桿[A3]。

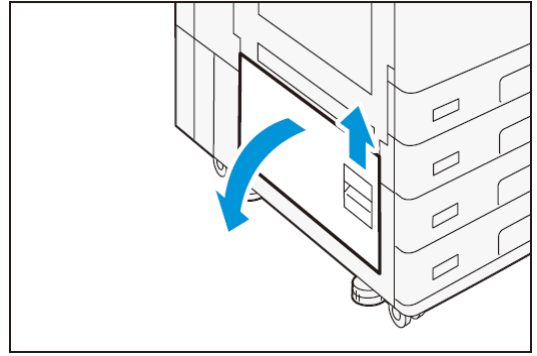


1.3 INSIDE LOWER LEFT COVER 左下蓋內部

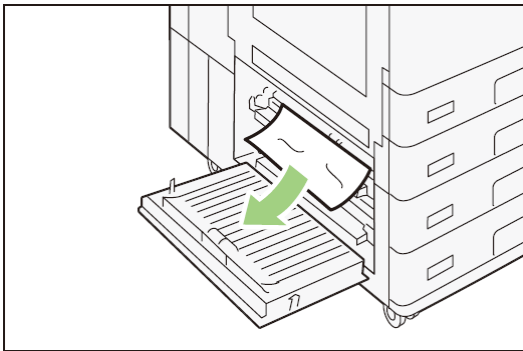
1. While lifting up the release lever, open the lower left cover.



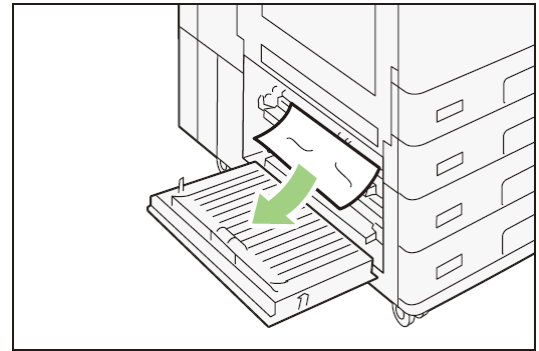
1. 提起釋放桿，開啟左下蓋。



2. Remove the jammed paper.



2. 清除卡紙的紙張。



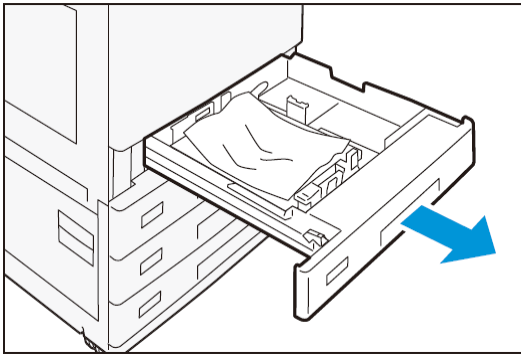
Scan QR Code OR Click [here](#) for video version of this chapter.
請掃描 QR Code 或者點擊[這裡](#)查看本章的視頻版本

For more online support information please visit
更多相關資料，請訪問以下網址：

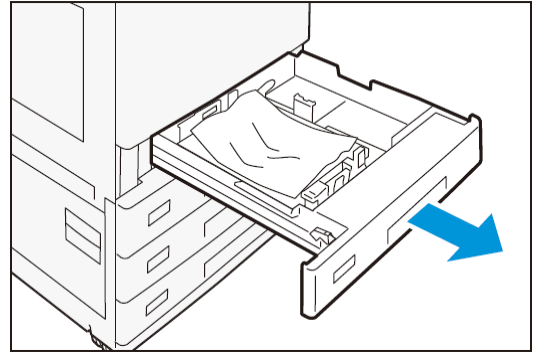
<https://support-fb.fujifilm.com>

1.4 STANDARD TRAY 標準紙盤

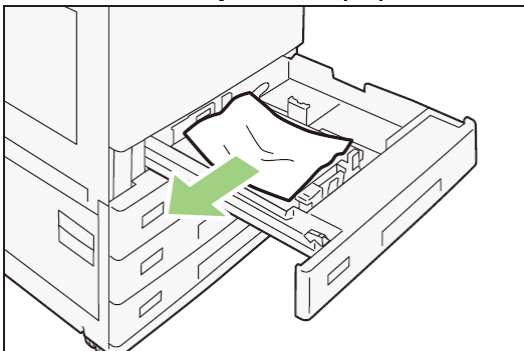
1. Pull out the paper tray where the paper jam occurred until it stops.



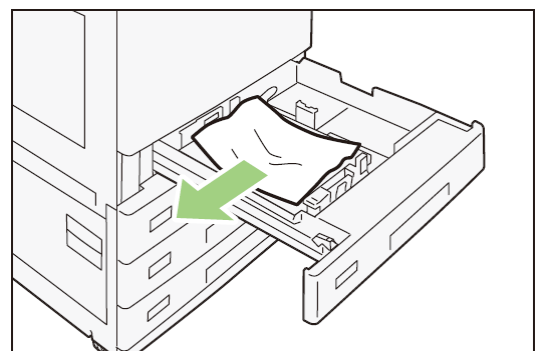
1. 將發生卡紙的紙盤完全拉出。



2. Remove the jammed paper.



2. 清除卡紙的紙張。

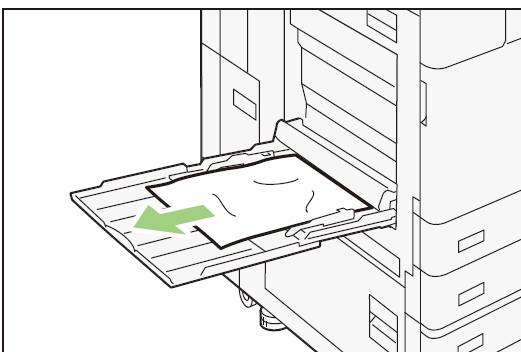


3. Push in the paper tray.

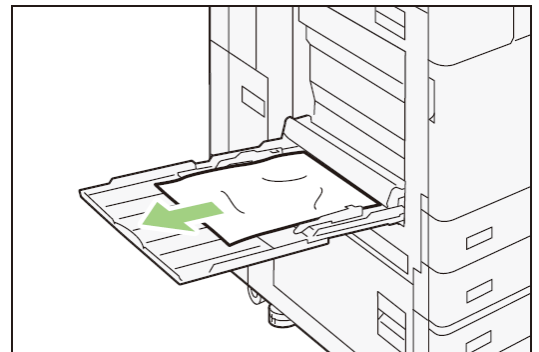
3. 推入紙盤。

1.5 BYPASS TRAY 手送紙盤

1. Remove the jammed paper.

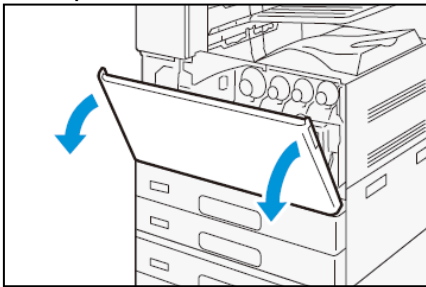


1. 清除卡紙的紙張。

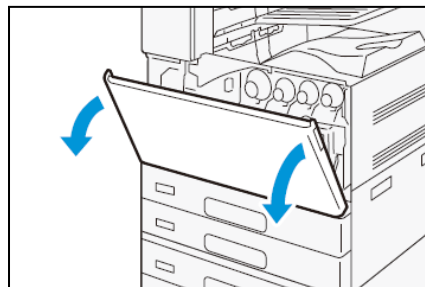


2 REPLACING TONER 更換碳粉匣

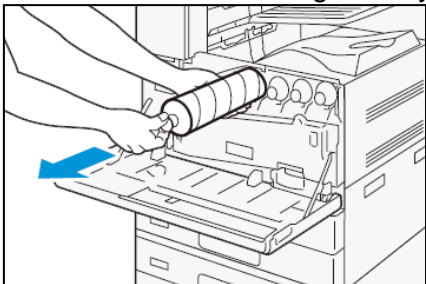
1. Confirm that the machine is not operating, and open the front cover.



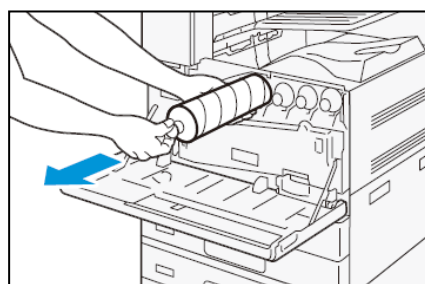
1. 先確定裝置已經停止運作，然後開啟前蓋。



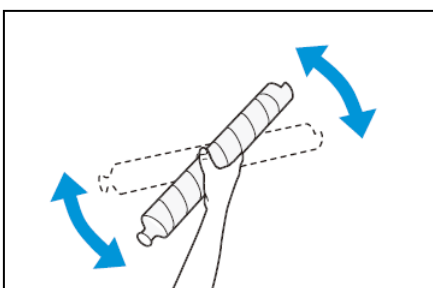
2. Pull out the toner cartridge slowly.



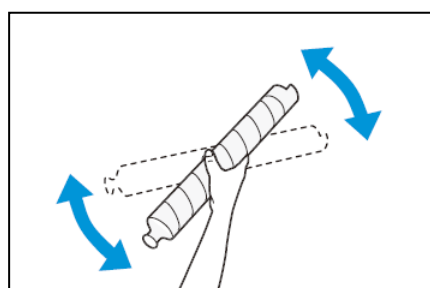
2. 慢慢拉出碳粉卡匣。



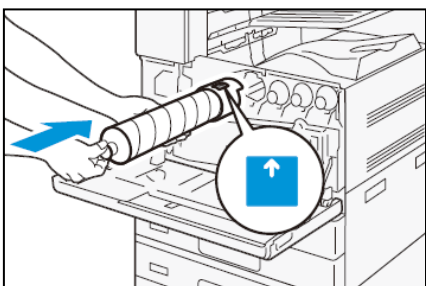
3. Shake the new toner cartridge gently.



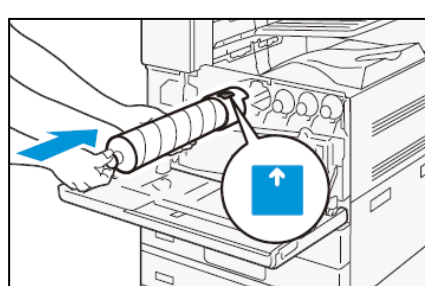
3. 輕輕搖晃新碳粉卡匣。



4. Hold the cartridge with the arrow facing up, and insert the cartridge slowly.



4. 把碳粉卡匣的箭咀標誌向上，然後慢慢地插入卡匣。



5. Close the front door.

5. 關上前蓋。



Scan QR Code OR Click [here](#) for video version of this chapter.

請掃描 QR Code 或者點擊 [這裡](#) 查看本章的視頻版本

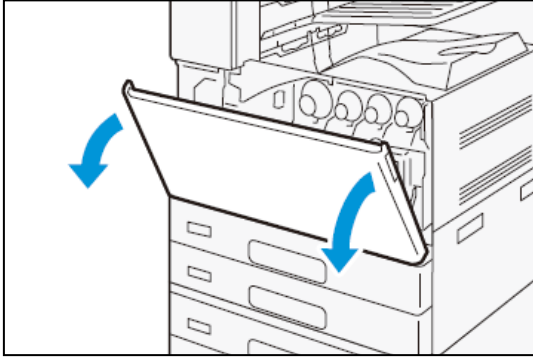
For more online support information please visit

更多相關資料，請訪問以下網址：

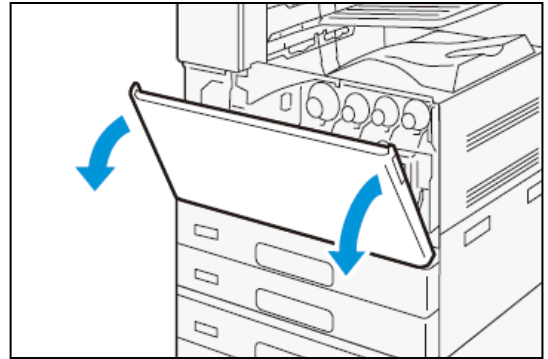
<https://support-fb.fujifilm.com>

3 REPLACING WASTE TONER CONTAINER 更換碳粉回收匣

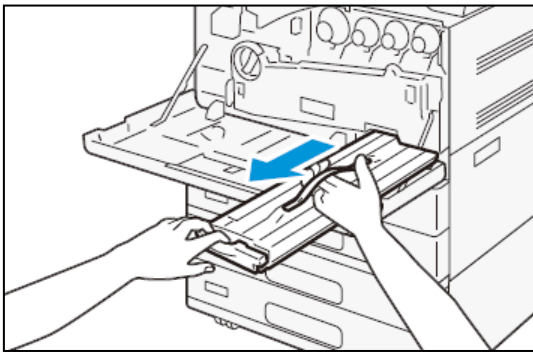
1. Make sure that the device is not operating, and open the front door.



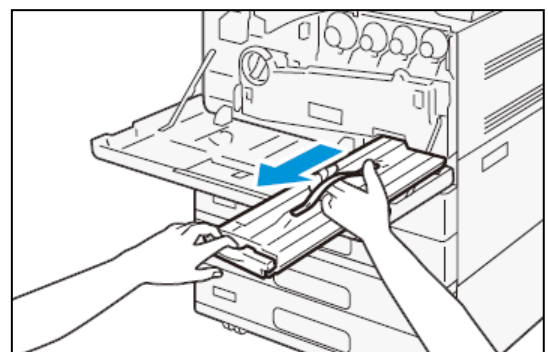
1. 先確定裝置已經停止運作，然後開啟前蓋。



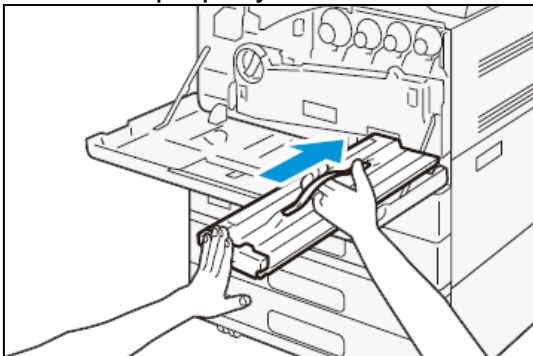
2. Take out the waste toner container from the device.



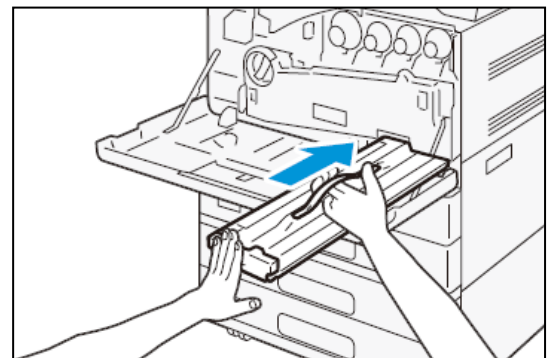
2. 把碳粉回收匣從裝置中取出。



3. Put the new waste toner container into the device properly.



3. 把新的碳粉回收匣正確地裝回裝置內。



Scan QR Code OR Click [here](#) for video version of this chapter.

請掃描 QR Code 或者點擊[這裡](#)查看本章的視頻版本

For more online support information please visit

更多相關資料，請訪問以下網址：

<https://support-fb.fujifilm.com>

4 EXTRA INFORMATION 更多資訊



How to replace the drum cartridge

如何更換感光鼓

Scan QR Code OR Click [here](#)

請掃描 QR Code 或者點擊[這裡](#)



How to replace the C Finisher R1 Finisher staple cartridge

如何更換 C 裝訂器的 R1 裝訂器釘書釘盒

Scan QR Code OR Click [here](#)

請掃描 QR Code 或者點擊[這裡](#)



How to empty the hole punch waste container

如何清空打孔廢紙容器

Scan QR Code OR Click [here](#)

請掃描 QR Code 或者點擊[這裡](#)

Customer Support Center

2513-2513

This document includes Fuji Xerox product(s), licensed from Xerox Corporation. The distributor of the product(s) is FUJIFILM Business Innovation Corp.
Xerox, Xerox and Design, as well as Fuji Xerox and Design are registered trademarks or trademarks of Xerox Corporation in Japan and/or other countries.
FUJIFILM and FUJIFILM logo are registered trademarks or trademarks of FUJIFILM Corporation.
ApeosPort and DocuWorks are registered trademarks or trademarks of FUJIFILM Business Innovation Corp.